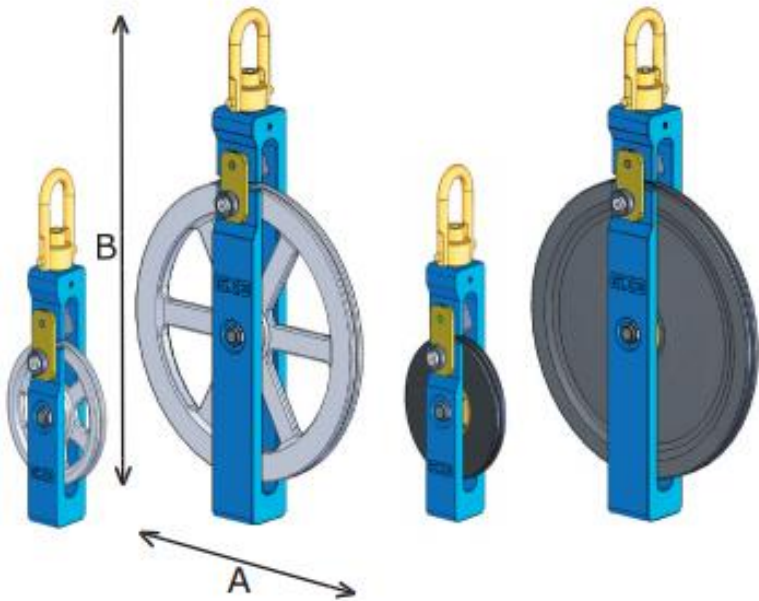
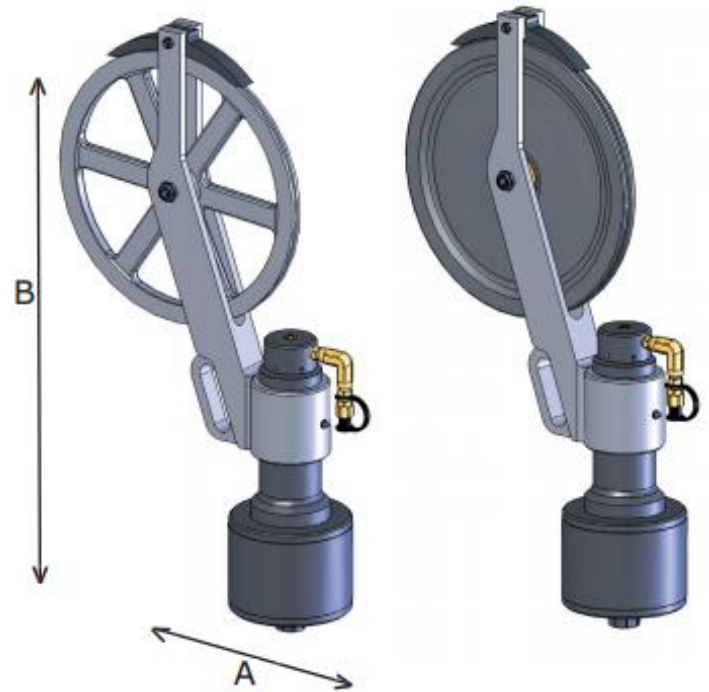


WIRELINING STUFFING BOX & HAY PULLEY

GKD STUFFING BOX

- Hydraulic typical, Manual available
- Standard 16" Sheave
- Suitable for 0.092" to 0.125" wire, custom grooves available
- Choice of Composite Sheave with solid wheel for safety and reduced abrasion for today's expensive lines or Heavy Duty Lightweight Aluminium Sheave
- Maximum Line Load 3000lbs
- Quick union standard, (specify union)
- Includes 6 Packings and replaceable Glands and Plunger



GKD HAY PULLEY

- 16" or 7" Sheave
- Choice of Composite Sheave with solid wheel for safety and reduced abrasion for today's expensive lines or Heavy Duty Lightweight Aluminium Sheave
- Maximum Hook Working Load 6000lbs (3000lbs line)
- Heavy Duty 360 degree swivel hook standard, optional hooks available

	Hydraulic Stuffing Box w/ 5 3/4" - 4 Acme Union			16" Hay Pulley			7" Hay Pulley		
	Dimension - inch (mm)		Weight lbs (kg)	Dimension - inch (mm)		Weight lbs (kg)	Dimension - inch (mm)		Weight lbs (kg)
	A	B		A	B		A	B	
Aluminium Sheave	20 (508)	35 (889)	90.3 (41)	16 (406)	27.25 (692)	23.5 (10.6)	7 (178)	19 (482)	11.5 (5.2)
Composite Sheave	20 (508)	35 (889)	87.6 (39.7)	16 (406)	27.25 (692)	21 (9.5)	7 (178)	19 (482)	12.2 (5.5)



7939 54 Street SE - Calgary, AB Canada - T2C 4R7